

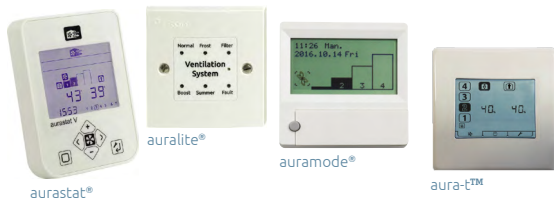


For use in a wide range of dwellings

The H200 Q Plus continuously running horizontal whole-house ventilation unit with heat recovery is independently tested by the BRE. It is ideal for flats due to its low profile.

Combining low power consumption and a highly efficient heat exchanger, this unit enhances SAP performance via Appendix Q and remains versatile enough in size to be equally functional in large through to small apartments alike.

The H200 Q Plus comes in Eco versions only with a 100% airflow diverting Summer Bypass, recognised and listed in the UK Product Characteristics Database. They also include intelligent humidity options and can be fitted with the auralite® status indicator, aura-t™ (HMB and B models), auramode® and aurastat® controllers (B models only).



Features & Benefits

- Low profile
- Extremely low SFP; down to 0.55 W/l/s
- Highly efficient heat exchanger; up to 83%
- Airflow up to 83 l/s (300 m³/h) at 100 Pa
- Intelligent controller, quick and easy to commission
- Fully adjustable boost overrun timer 0-60 minutes; use with non-latching (momentary) switches to prevent unit from being accidentally left in boost mode
- Accepts either 204mm x 60mm rectangular ducting, 150mm or 160mm diameter ducting, no adaptors required
- Intelligent frost protection, stepped reduction of supply air rates prevents HRV unit from freezing
- Setback facility to reduce ventilation where local regulations allow
- Volt free switching control
- ISO Coarse 65% (G4) filters as standard, ISO ePM1 55% (F7) as an option
- Pleated cardboard frame filters
- Independent fan adjustment
- Effective in reducing pollutants in the home and improving Indoor Air Quality (IAQ), therefore reducing the risk of Toxic Home Syndrome

Eco Versions:

- Intelligent Summer Bypass & humidity controls
- SUMMERboost® facility

Eco HMB Models:

- Compatible with auralite® (TP518) status indicator and aura-t™ controller

Eco B Models:

- Compatible with Eco-aura range; aurastat®, auramode® and aura-t™ controllers and auralite® (TP519) status indicator
- Duct Pre-heater control (requires independent power supply)
- BMS compatible via RS485

Product Codes

H200 Q Plus HMB Eco auralite® & aura-t™ ready
204x60 - **TP451HMB** - Energy Rating A

H200 Q Plus HMB Eco auralite® & aura-t™ ready
Ø160 - **TP453HMB** - Energy Rating A

H200 Q Plus HMB Eco auralite® & aura-t™ ready
Ø150 - **TP452HMB** - Energy Rating A

H200 Q Plus B Eco-aura controls ready 204x60 -
TP461B - Energy Rating A

H200 Q Plus B Eco-aura controls ready Ø160 -
TP463B - Energy Rating A

H200 Q Plus B Eco-aura controls ready Ø150 -
TP462B - Energy Rating A

Filters:

XP2010174 – ISO Coarse 85% (G4) filter set fitted as standard.

XP46223/099 - ISO ePM1 55% (F7) filters available on request.

Standards

Conforms to requirements of UK statutory Building Regulations and Technical Standards for Ventilation and BRE 398.

SAP Appendix Q tested.

Exceeds requirements of Building Regulations Approved Document L (England & Wales).

EU RoHS Directive compliant.

Conforms to requirements of EC council directives relating to Electromagnetic Compatibility and Electrical Safety:
2006/95/EC (LVD), 2004/108/EC (EMC)
EN 60335-1:2002/A2:2006, EN 60335-2- 80:2003/A1:2004.
CE Marked.

Specification

Dimensions: 1004mm wide (excluding ports) x 203mm high x 604mm deep

Weight: 32kg

Finish: White Paint

Materials:

Housing: Zintec sheet steel housing, powder coated white

Internal insulation: Closed cell foamed Nitrile rubber, class 'O' fire rating

Heat exchanger: aluminium

Standard filters: Grade ISO Coarse 85% (G4) pleated panel filters

Guarantee period: 3 years (UK only)

Electrical: 230V ~ 50/60Hz, 3A fuse

Installation: Install in accordance with regulatory requirements, such as the Domestic Ventilation Compliance Guide (England & Wales) and the Residential Ventilation Association recommendations.

Maintenance: Service and filter clean/replacement subject to local environment – see product manual.

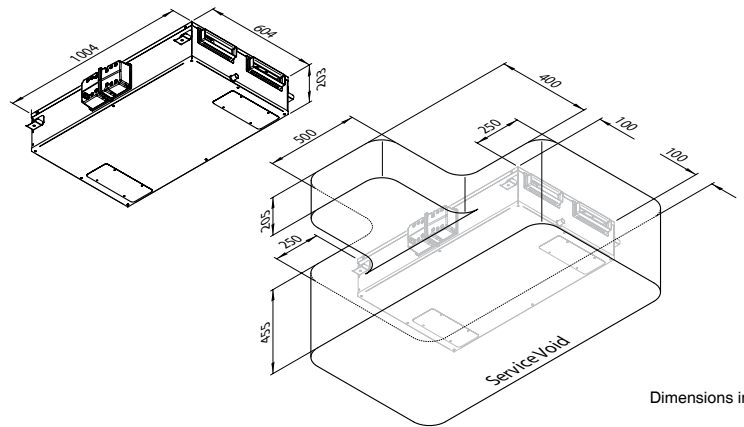
Acoustics: Full acoustic data available online www.titon.com/acoustics

Acoustic Data

Product	% of Max flow	Airflow	dB(A) @ 3m Hemispherical			dB(A) @ 3m Spherical
			Induct Inlet	Induct Outlet	Casing Breakout	Casing Breakout
H200 Q Plus	47%	39l/s @ 20Pa	25	37	25	22
	64%	53l/s @ 37Pa	30	21	31	28
	100%	83l/s @ 100Pa	39	54	41	38

For full frequency acoustic data at various speeds please see www.titon.com. All acoustic data is third party tested at Sound Research Laboratories (SRL) Ltd.

Drawing & Dimensions



Dimensions in mm

Performance

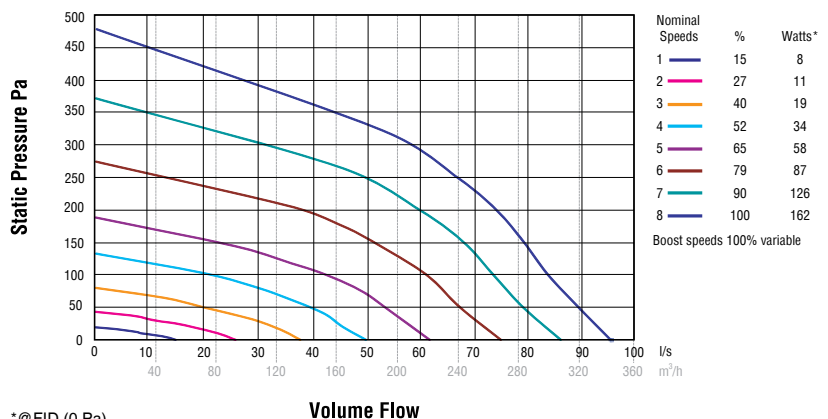
The figures and compliance levels below relate to current SAP requirements. Revised SAP guidance will have an effect on performance and up-to-date figures can be found on the relevant product page at www.titon.com.

Exhaust terminal configuration*	Fan speed setting	SFP (W/l/s)		Heat exchange efficiency (%)	
		2009	2012	2009	2012
Kitchen + 1 additional wet room	100% variable	0.58	0.58	83%	83%
Kitchen + 2 additional wet rooms	100% variable	0.55	0.66	83%	82%
Kitchen + 3 additional wet rooms	100% variable	0.61	0.8	82%	80%
Kitchen + 4 additional wet rooms	100% variable	0.72	1.01	81%	80%
Kitchen + 5 additional wet rooms	100% variable	0.85	1.25	80%	80%
Kitchen + 6 additional wet rooms	100% variable	0.99	1.58	80%	82%
Kitchen + 7 additional wet rooms	100% variable	1.2	-	80%	-

Figures taken from the BRE Test Results

*Number of wet rooms is based on SAP Q test criteria and does not correlate directly with regulatory performance requirements.

Nominal Fan Performance



*@ FID (0 Pa).

All units offer 100% variable speed control.

Performance curves for Eco version.